



WS_BF Series

Model 3887BF

SUBMERSIBLE SEWAGE PUMP



FEATURES

Impeller: Cast iron, semi-open, non-clog, dynamically balanced with pump out vanes for mechanical seal protection.

Casing: Cast iron flanged volute type for maximum efficiency. Designed for easy installation on A10-20 slide rail or base elbow rail systems.

Mechanical Seal: SILICON CARBIDE VS. SILICON CARBIDE sealing faces for superior abrasive resistance, stainless steel metal parts, BUNA-N elastomers.

Shaft: Corrosion-resistant, 300 series stainless steel. Threaded design. Locknut on all models to guard against component damage on accidental reverse rotation.

Fasteners: 300 series stainless steel.

Capable of running dry without damage to components.

Designed for continuous operation when fully submerged.

EXTENDED WARRANTY AVAILABLE FOR RESIDENTIAL APPLICATIONS.

AGENCY LISTINGS



Tested to UL 778 and CSA 22.2 108 Standards
By Canadian Standards Association
File #LR38549

APPLICATIONS

Specifically designed for the following uses:

- Homes
- Water transfer
- Sewage systems
- Light industrial
- Dewatering/Effluent
- Commercial applications

Anywhere waste or drainage must be disposed of quickly, quietly and efficiently.

SPECIFICATIONS

Pump

- Solids handling capabilities: 2" maximum
- Capacities: up to 185 GPM
- Total heads: up to 38 feet TDH
- Discharge size: 2" NPT threaded companion flange as standard. 3" option available but must be ordered separately. (Order no. A1-3)
- Temperature: 104°F (40°C) continuous
140°F (60°C) intermittent.

MOTORS

- Fully submerged in high grade turbine oil for lubrication and efficient heat transfer. All ratings are within the working limits of the motor.
- Class B insulation

Single phase (60 Hz):

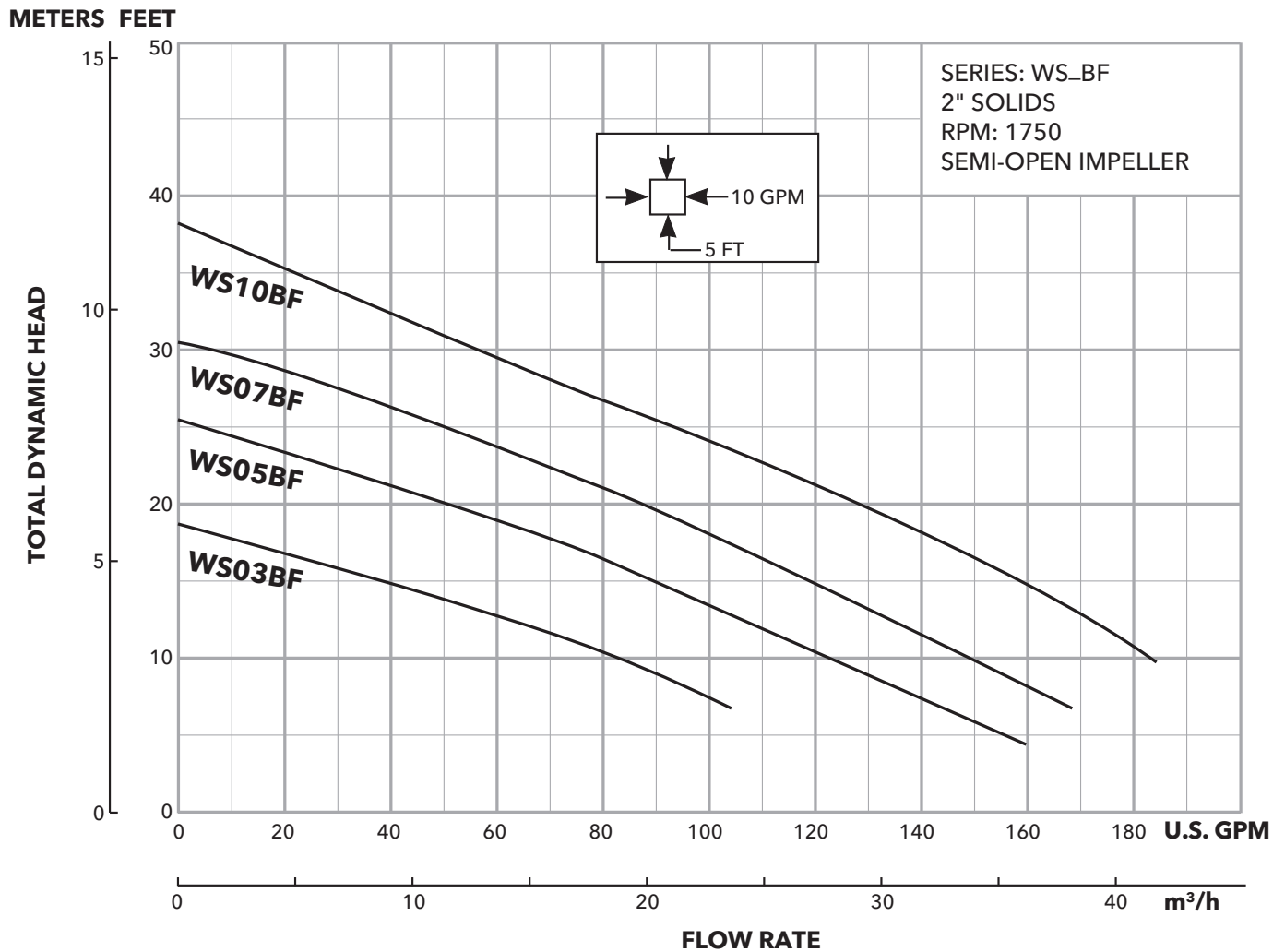
- Capacitor start motors for maximum starting torque.
- Built-in overload with automatic reset.
- SJTOW or STOW severe duty oil and water resistant power cords.
- ½ - 1 HP models have NEMA three prong grounding plugs.

Three phase (60 Hz):

- Class 10 overload protection must be provided in separately ordered starter unit.
- STOW power cords all have bare lead cord ends.
- **Bearings:** Upper and lower heavy duty ball bearing construction.
- **Designed for Continuous Operation:** Pump ratings are within the motor manufacturer's recommended working limits, can be operated continuously without damage when fully submerged.
- **Power Cable:** Severe duty rated, oil and water resistant. Epoxy seal on motor end provides secondary moisture barrier in case of outer jacket damage and to prevent oil wicking. Standard cord is 20'. Optional lengths are available.
- **Motor Cover O-ring:** Assures positive sealing against contaminants and oil leakage.

MOTOR AND MODEL INFORMATION

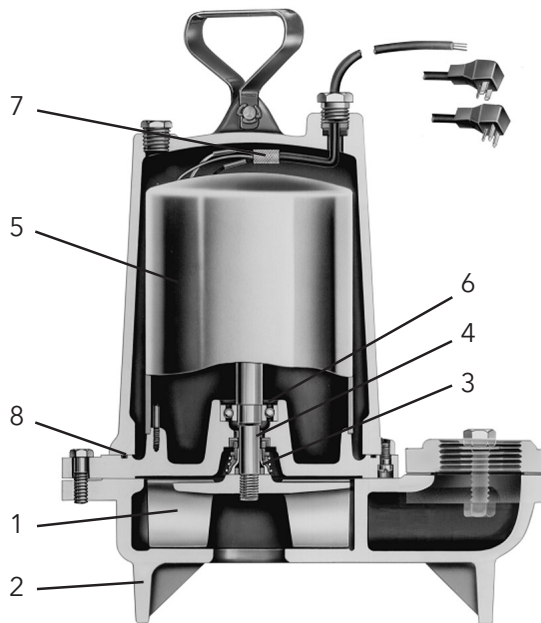
Order Number	HP	Phase	Volts	RPM	Impeller Diameter (in.)	Maximum Amps	Locked Rotor Amps	KVA Code	Full Load Efficiency	Resistance		Weight (lbs.)
										Start	Line-Line	
WS0311BF	0.33	1	115	1750	4.69	10.7	30.0	M	54	11.9	1.7	63
WS0318BF			208			6.8	19.5	K	51	9.1	4.2	
WS0312BF			230			4.9	14.1	L	53	14.5	8.0	
WS0511BF	0.5	1	115		5.00	14.5	31.1	J	55	9.3	1.4	65
WS0518BF			208			8.0	19.5	K	51	9.1	4.2	
WS0512BF			230			7.3	16.5	J	54	11.7	5.6	
WS0538BF		3	200			3.8	12.3	K	75	-	6.7	
WS0532BF			230			3.3	9.7	K	75	-	9.9	
WS0534BF			460			1.7	4.9	K	75	-	39.4	
WS0537BF			575			1.4	4.3	K	68	-	47.8	
WS0718BF	0.75	1	208		5.38	11.0	39.0	K	65	2.6	1.4	85
WS0712BF			230			9.4	24.8	J	57	4.8	2.3	
WS0738BF		3	200	4.1		21.2	H	74	-	4.3		
WS0732BF			230	3.6		17.3	J	76	-	5.6		
WS0734BF			460	1.8		8.9	J	76	-	22.4		
WS0737BF			575	1.5		7.3	J	71	-	29.2		
WS1018BF	1	1	208	5.75	14.0	39.0	K	65	2.6	1.4	85	
WS1012BF			230		12.3	30.5	H	60	4.3	1.8		
WS1038BF		3	200		6.0	21.2	H	74	-	4.3		
WS1032BF			230		5.8	17.3	J	76	-	5.6		
WS1034BF			460		2.9	8.9	J	76	-	22.4		
WS1037BF			575		2.4	7.3	J	71	-	29.2		



COMPONENTS

Item No.	Description
1	Impeller
2	Casing
3	Mechanical Seal
4	Motor Shaft
5	Motor
6	Ball Bearings
7	Power Cable
8	Casing O-Ring

* For available repair parts, see repair parts book.

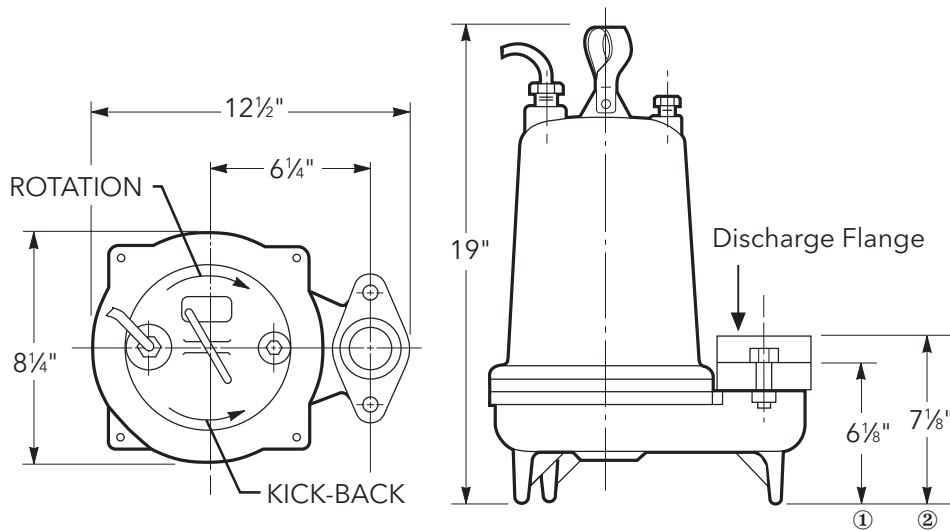


PERFORMANCE RATINGS (gallons per minute)

Order No.	WS03BF	WS05BF	WS07BF	WS10BF
HP	1/3	1/2	3/4	1
RPM	1750	1750	1750	1750
Total Head Feet of Water				
10	80	122	145	183
15	36	90	116	152
20	-	50	86	123
25	-	-	48	95
30	-	-	-	58
35	-	-	-	20

DIMENSIONS

(All dimensions are in inches. Do not use for construction purposes.)



Discharge Flange:

- ① 2" NPT standard
- ② 3" NPT optional (order an A1-3)

STANDARD PANEL OPTIONS

Pump Order Number	K Series		Boulay Series	
	Simplex	Duplex	Simplex	Duplex
WS0311BF	KS19020WF	KD19020WF	S10020	D10020
WS0318BF	KS19020WF	KD19020WF	S10020	D10020
WS0312BF	KS19020WF	KD19020WF	S10020	D10020
WS0511BF	KS19020WF	KD19020WF	S10020	D10020
WS0518BF	KS19020WF	KD19020WF	S10020	D10020
WS0512BF	KS19020WF	KD19020WF	S10020	D10020
WS0538BF	KS31255WF	KD31255WF	S32540	D32540
WS0532BF	KS31255WF	KD31255WF	S32540	D32540
WS0534BF	KS31255WF	KD31255WF	S31615	D31615
WS0537BF	N/A	N/A	S31615	D31615
WS0718BF	KS19020WF	KD19020WF	S10020	D10020
WS0712BF	KS19020WF	KD19020WF	S10020	D10020
WS0738BF	KS31255WF	KD31255WF	S34063	D34063
WS0732BF	KS31255WF	KD31255WF	S32540	D32540
WS0734BF	KS31255WF	KD31255WF	S31625	D31625
WS0737BF	N/A	N/A	S31625	D31625
WS1018BF	KS19020WF	KD19020WF	S10020	D10020
WS1012BF	KS19020WF	KD19020WF	S10020	D10020
WS1038BF	KS34518WF	KD34518WF	S34063	D34063
WS1032BF	KS34518WF	KD34518WF	S34063	D34063
WS1034BF	KS31255WF	KD31255WF	S32540	D32540
WS1037BF	N/A	N/A	S32540	D32540

Note: Boulay Series part numbers have additional available features, see page 7 for more information.

Note: K Series panel part numbers include floats, to order without float switches, remove the 'WF' suffix. Boulay Series panels do not include float switches.



K-SERIES

- NEMA 4X dead front outdoor rated enclosure
- Red LED alarm beacon
- HOA selector switch
- Field wiring terminal block
- Single phase models handle 120, 208 and 230V service
- Three phase models handle 200, 230 and 460V service
- Requires separate control/alarm power feed
- See brochure "BCPKSDPANELS" for additional information

BOULAY SERIES

- NEMA 4X outdoor rated enclosure
- Red alarm beacon
- HOA selector switch
- Through door pump run light(s)
- Through door alarm test and horn silence button
- Single phase models handle 120, 208 and 230V service
- Three phase models handle 200, 230, 460 and 575V service
- Accepts single or dual power feed
- See brochure "BCP3 R11" for additional information on simplex models
- See brochure "BCP4 R14" for additional information on duplex models

Xylem |'zīləm|

- 1) The tissue in plants that brings water upward from the roots;
- 2) a leading global water technology company.

We're a global team unified in a common purpose: creating advanced technology solutions to the world's water challenges. Developing new technologies that will improve the way water is used, conserved, and re-used in the future is central to our work. Our products and services move, treat, analyze, monitor and return water to the environment, in public utility, industrial, residential and commercial building services settings. Xylem also provides a leading portfolio of smart metering, network technologies and advanced analytics solutions for water, electric and gas utilities. In more than 150 countries, we have strong, long-standing relationships with customers who know us for our powerful combination of leading product brands and applications expertise with a strong focus on developing comprehensive, sustainable solutions.

For more information on how Xylem can help you, go to www.xylem.com



Xylem Inc.
2881 East Bayard Street Ext., Suite A
Seneca Falls, NY 13148
Phone: (866) 325-4210
Fax: (888) 322-5877
www.xylem.com/goulds

Goulds is a registered trademark of Goulds Pumps, Inc. and is used under license.
© 2019 Xylem Inc. B3887BF R3 June 2019